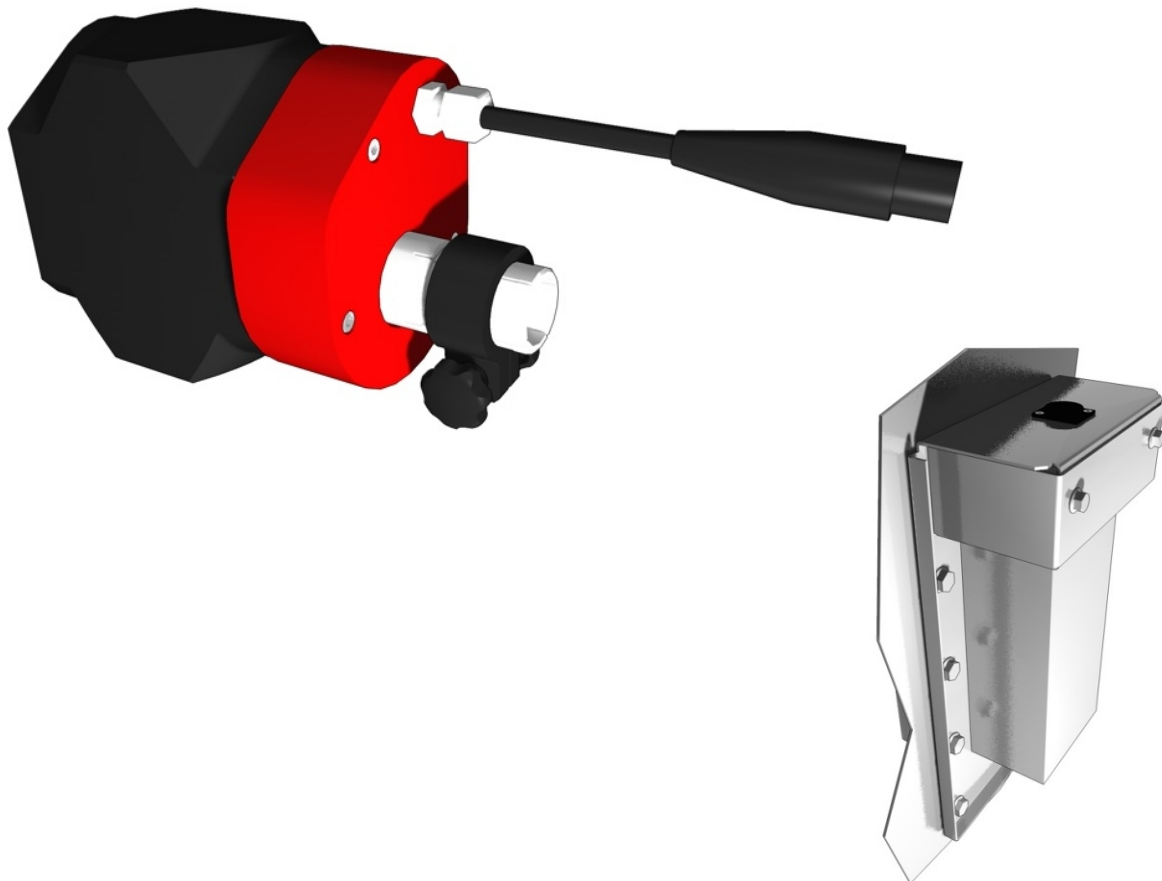




FRANKONIA

Datasheet FPD-01 Polarisation device

The polarization device FPD-01 (illustration on the left) is designed for the polarization of antennas. The maximum weight of the antennas is 5 kg, slewing range 0°- 90°. The FPD-01 polarization unit has an antenna tube of 22 mm, which is equipped with a clamp ring for easy and safe installation of antennas. On the side a 3/8- 16 UNC thread is foreseen for the installation of a stand. The control is effected with the controller FC06-24V. The control signal is feed through the shielded wall via an EMC filter that is mounted on the carrying unit (illustration on the right).





FRANKONIA

Datasheet FPD-01 Polarisation device

Technical data FPD-01:

Polarization electric	0° - 90 °
Polarization time	ca. 5 sec
Polarization accuracy	0.2 °
Dimension	200 mm x 110 mm x 90 mm
Weight	2.5 kg
Antenna weight	Max. 5 kg, depending on gravity, size and used connection adapter of the antenna
Mast mount	3/8" female
Antenna tube	Ø 22 mm ± 0.1
Voltage	24V DC

Connection	XLR male
Connection to tripod	Thread 3/8-16 UNC

Technical data feedthrough:

Dimension	350 x 190 x 166
Weight	6 kg
Connection	XLR male to XLR female



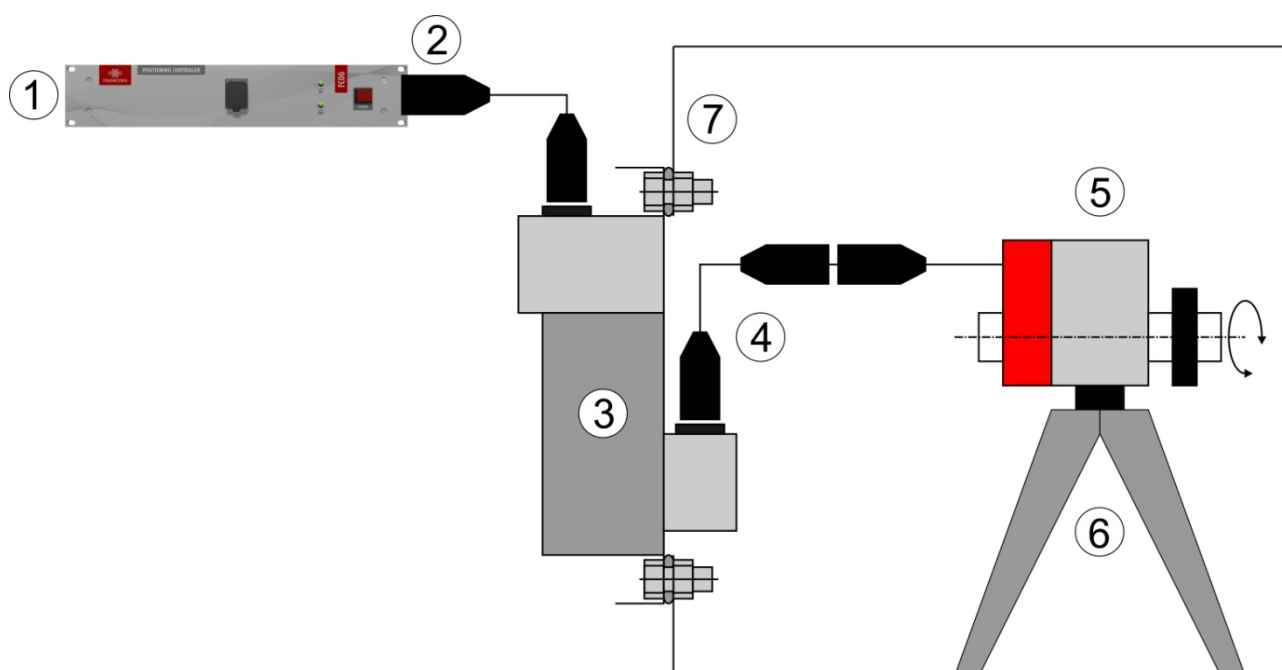
FRANKONIA

Datasheet FPD-01 Polarisation device

Legend:

1	Controller with 24 V DC output
2	Cable XLR male to XLR female, length 5 m
3	Feedthrough XLR male to XLR female
4	Cable XLR male to XLR female, length 5 m
5	Polarisation unit, 0° - 90°
6	Tripod
7	Shielding
8	Cable XLR male, length 5 m
9	Floor CP with XLR female plug

Installation Example: A



Published by: FRANKONIA GmbH - Industriestrasse 16 - D-91180 Heideck
 Phone: +49-9177-98-5 00 - Fax: +49-9177-98-5 20 - E-mail: info@frankoniagroup.com
 Internet: www.frankoniagroup.com - Managing Director: Wolfgang Opitz
 Commercial Register: Amtsgericht Nürnberg - UST.-Ident-Nr.: HRB 8052 - VAT-Nr. DE 133565240





FRANKONIA

Datasheet FPD-01 Polarisation device

Installation Example: B

