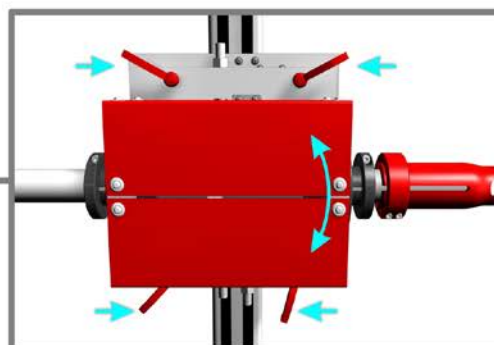
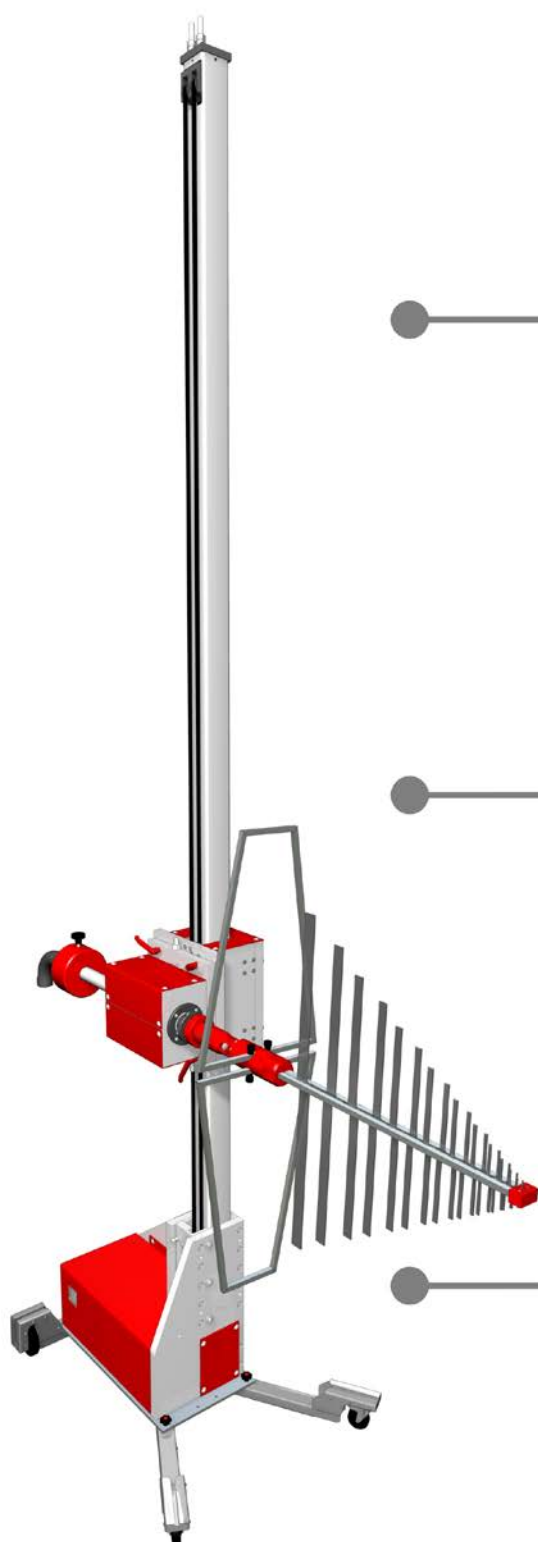


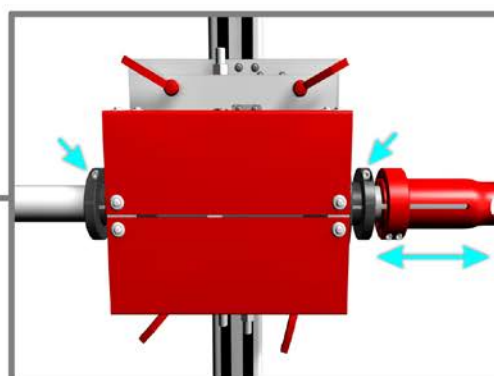
Datasheet

Antenna mast FAM2-4 / FAM2-6

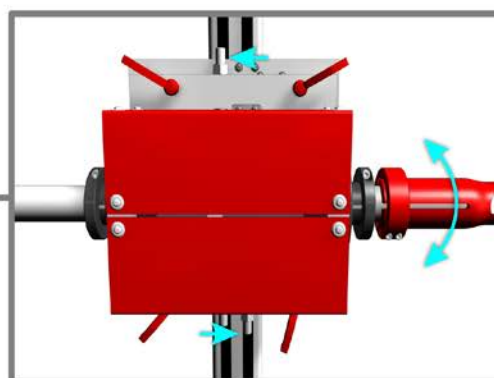
DIN EN 55022 / CISPR 22 / Class B



manual adaptation of antenna alignment $\pm 2^\circ$



easy positioning of antenna tube through clamp ring



vernier adjustment of polarisation angle


FRANKONIA
Datasheet
Antenna mast FAM2-4 / FAM2-6

DIN EN 55022 / CISPR 22 / Class B

Technical data:

FAM2-4	
Height scan electric	0.9 m to 4 m
Total height	4.5 m
External dimensions	1.2 m x 0.9 m x 4.5 m
Weight	85 kg

FAM2-6	
Height scan electric	0.9 m to 6 m
Total height	6.5 m
External dimensions	1.2 m x 0.9 m x 6.5 m
Weight	92 kg

Common characteristics	
Height scan accuracy	± 5 mm
Polarization electric	0° - 90 ° vernier adjustment possible
Polarization time	ca. 6 sec
Polarization accuracy	0.2 °
Antenna weight	Max. 12 kg, depended on gravity, size and used connection
Antenna tube	Ø 50.5 mm ± 0.5
Manual antenna alignment	± 2°
Voltage	230V (200-15% ... 240+10%)
Frequency	50/60Hz (50-5% ... 60+5%) 1phase
Input	300 W in operation
Control	Optical fiber duplex, 660 nm, FSMA
Automatic operation via	GPIB IEEE 488.2